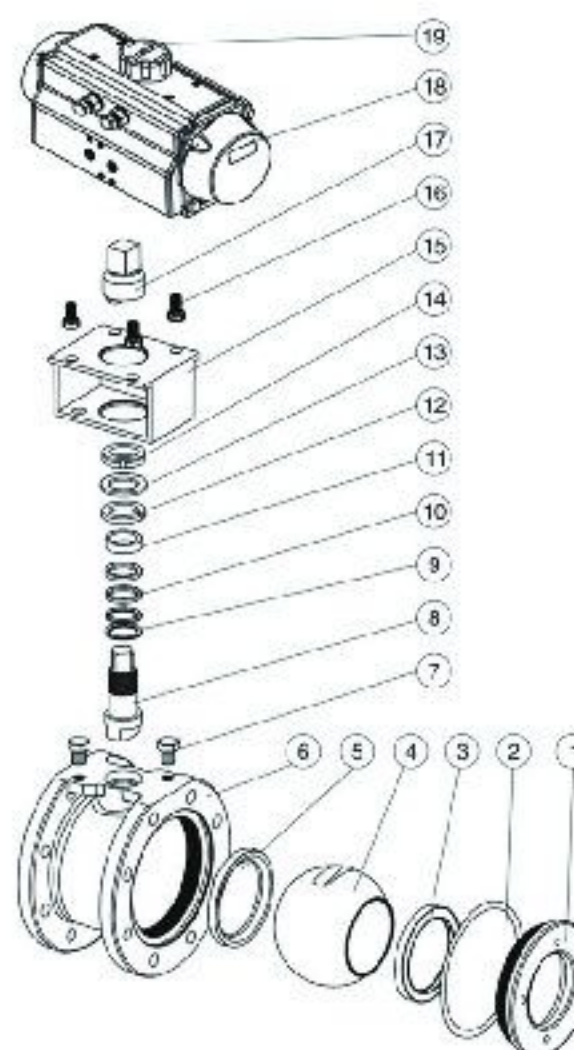


LDBABP 系列

气动法兰式超薄球阀



零件结构 (图一)

技术参数 Technical Parameters

气缸形式 Cylinder type	双作用、单作用 Dual action actuator, Spring return action
环境温度 Environmental Temperature	-20°C ~ +80°C
气源压力 Air Pressure	双作用 4~8bar、单作用 5~8bar Dual action actuator 4~8bar, Spring return action 5~8bar

功能选项 Function Options

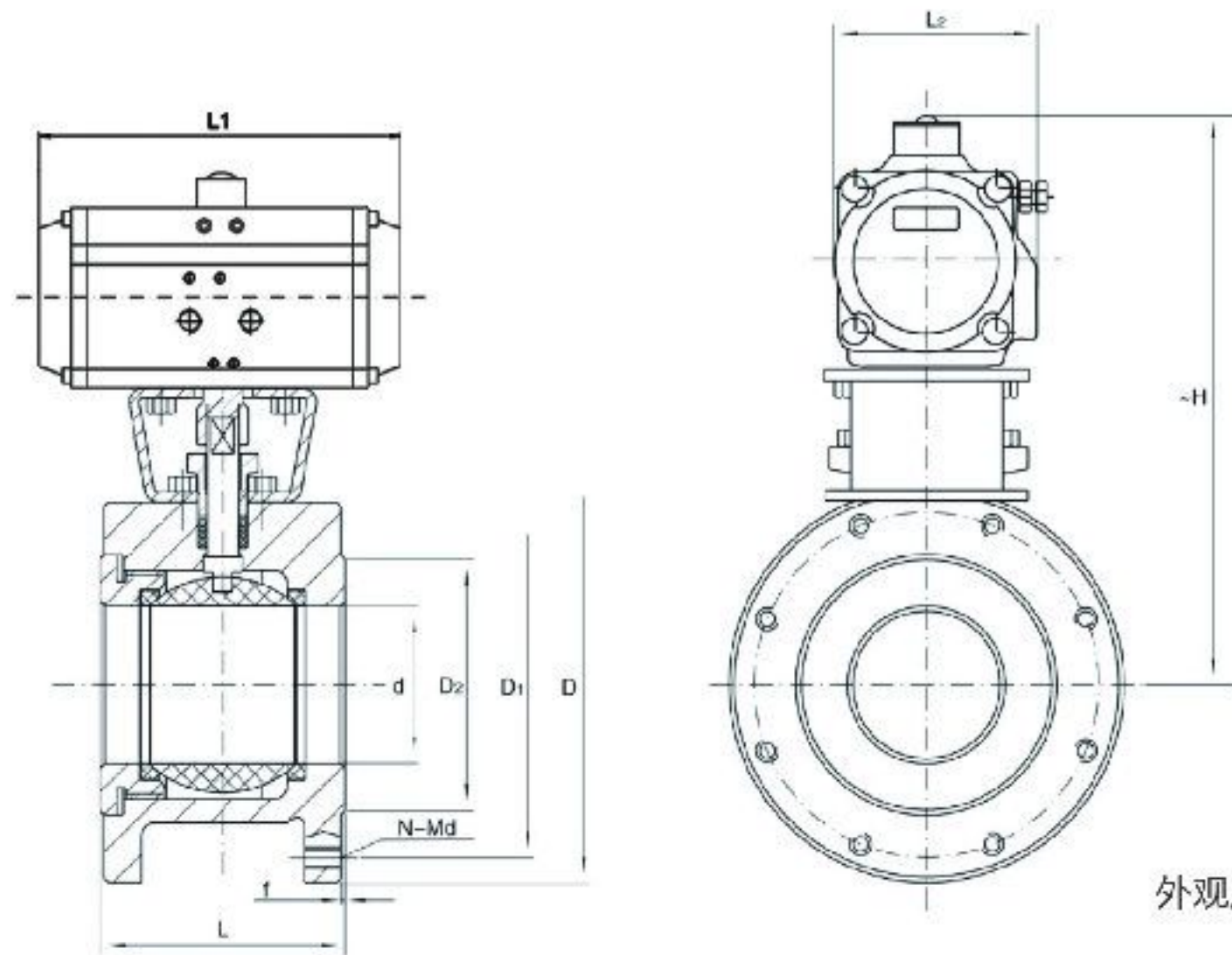
防爆型 Explosion Proof Model	防爆等级 :dIIBT4 Explosion-proof class: dIIBT4
信号反馈 Signal Feedback	X1 机械式无源信号, X2 有源信号 X1 mechanical passive signal, X2 active signal
手动功能 Manual function	气动阀可选手轮 手动开闭 关闭功能 Optional wheel manual switch~&close valve function ~ 250°C

应用范围

水、油、气及某些腐蚀性液体 Water, oil, gas and some corrosive liquid

※注：球阀结构长度及连接法兰尺寸可根据用户要求设计制作。

Note: The structural length and connecting flange size of ball valve series can be designed and manufactured as per users' requirements.



外观尺寸 (图二)

零件结构材质表 Form of Main Parts Materials (图一)

序号 No.	零件名称 Name of parts	材质 Material		
		C	P	R
1	阀盖 Name of parts	WCB	ZG1Cr18Ni9Ti	ZG1Cr18Ni12Mo2Ti
2	垫片 Gasket	PTFE、对位聚苯 (PPL)		
3	阀座 Seat	PTEE、尼龙 (N)、对位聚苯 (PPL)		
4	球体 Ball	1Cr18Ni9Ti	1Cr18Ni9Ti	1Cr18Ni9Ti
5	阀座 Seat	PTEE、尼龙 (N)、对位聚苯 (PPL)		
6	阀体 Body	WCB	ZG1Cr18Ni9Ti	ZG1Cr18Ni12Mo2Ti
7	螺栓 Screw	35	1Cr18Ni9Ti	1Cr18Ni12Mo2Ti
8	阀杆 Stem	1Cr13	1Cr18Ni9Ti	1Cr18Ni12Mo2Ti
9	垫片 Gasket	1Cr18Ni9Ti	1Cr18Ni9Ti	1Cr18Ni12Mo2Ti
10	填料 Packing	PTFE	PTFE	PTFE
11	衬套 Bushing	PTFE 复合轴承 Composite bearings		
12	弹垫 Spring Gasket	WCB	ZG1Cr18Ni9Ti	ZG1Cr18Ni12Mo2Ti
13	垫片 Gasket	35	1Cr18Ni9Ti	1Cr18Ni9Ti
14	螺母 Nut	35	1Cr18Ni9Ti	1Cr18Ni9Ti
15	连接支架 Connecting Yoke	1Cr18Ni9Ti	1Cr18Ni9Ti	1Cr18Ni9Ti
16	螺栓 Screw	35	1Cr18Ni9Ti	1Cr18Ni9Ti
17	连接套 Connecting Set	35	1Cr18Ni9Ti	1Cr18Ni9Ti
18	气动装置 Pneumatic Device	LDP 系列、LDSK 系列 LDP Series, LDSK Series		
19	位置指示器 Location Indicator	塑料 Plastic		

主要外形及连接法兰尺寸 Q672F (N, P) -PN16(1.6MPa) /PN25 (2.5Mpa) Main Outline and Connecting Flange Size (图二)

型号 Model	DN	L	L1	L2	~H	D	D1	D2	B	F	N Md	执行器型号 Actuator Model
LDBABP15	15	32	141/159	71/83	177/208	95	65	46	14	2	4-M12	LD052P/LD063SK
LDBABP20	20	38.5	141/159	71/83	182/213	105	75	56	14	2	4-M12	LD052P/LD063SK
LDBABP25	25	45	141/211	71/95	187/230	115	85	65	16	2	4-M12	LD063P/LD083SK
LDBABP32	32	55	159/211	83/95	223/243	140	100	76	16	3	4-M16	LD063P/LD105SK
LDBABP40	40	62	211/248	95/107	231/261	150	110	84	18	3	4-M16	LD083P/LD105SK
LDBABP50	50	72	248/269	107/123	258/293	165	125	99	20	3	4-M16	LD083P/LD105SK
LDBABP65	65	95	248/315	107/141	273/298	185	145	118	22	3	4-M16	LD105P/LD125SK
LDBABP80	80	120	269/345	123/152	303/325	200	160	132	24	3	8-M16	LD105P/LD125SK
LDBABP100	100	145	345/409	152/172	333/390	220	180	156	24	3	8-M16	LD125P/LD160SK
LDBABP125	125	200	409/438	172/187	380/468	250	210	184	26	3	8-M16	LD160P/LD190SK
LDBABP150	150	225	438/550	187/215	432/529	285	240	211	26	3	8-M20	LD190P/LD210SK